

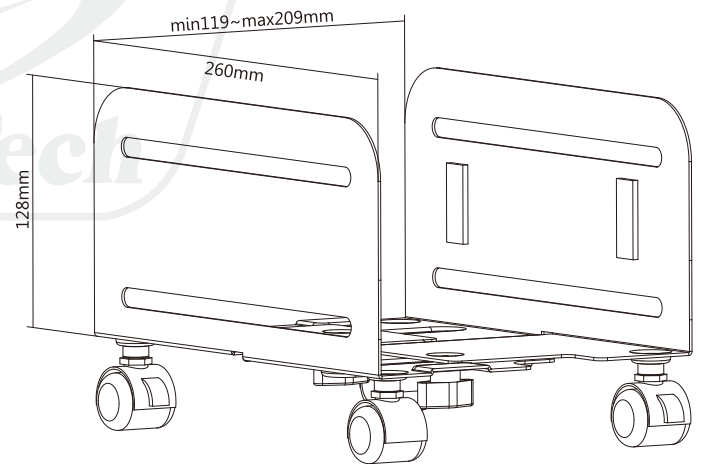
SH CP4 MOBILE CPU STAND



One stand is enough
for most ATX cases



Weight Capacity
10kg/22lbs



4 caster wheels



2 lockable wheels



Fits most ATX towers



Reliable steel structure